

PowerTech™ EWX

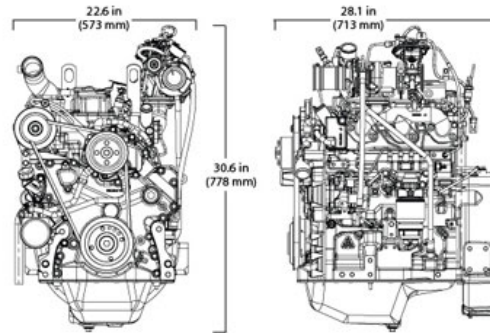
3029HFC03 Diesel Engine

Industrial Engine Specifications



3029HFC03 shown

Engine dimensions



Dimensions may vary according to options selected. Call your distributor for more information.

Certifications

- CARB
- EPA Tier 4
- EU Stage III B

General data

Model	3029HFC03	Length - mm (in)	715 (28.1)
Number of cylinders	3	Width - mm (in)	596 (23.5)
Displacement - L (cu in)	2.9 (177)	Height-- mm (in)	956 (37.6)
Bore and Stroke-- mm (in)	106.5 x 110 (4.19 x 4.33)	Weight, dry-- kg (lb)	400 (882)
Compression Ratio	16.9		
Engine Type	In-line, 4-Cycle		
Aspiration	Turbocharged and air-to-air aftercooled		

Performance data range

Application ratings	Continuous	Heavy Duty	Intermittent
Rated power/Rated speed	36 kW(48 hp) @2200-2400rpm	48 kW(64 hp) @2200-2400rpm	55 kW(74 hp) @2200-2400rpm
Peak power	36 kW (48 hp) @2200-2400rpm	48 kW (64 hp) @2200-2400rpm	55 kW (74 hp) @2200-2400rpm
Power bulge	0% @ NA rpm	0% @ NA rpm	0% @ NA rpm
Peak torque	192-209 N.m (142-154ft-lb) @1600rpm	254-280 N.m (187-207ft-lb) @1600rpm	292-304 N.m (215-224ft-lb) @1600rpm
Torque rise	33%	33-34%	27-33%

The Industrial Continuous engine power rating is for applications that operate with constant load and speed, except for short periods during startup or shutdown.

Some applications require Industrial Heavy-Duty engine power ratings. Please contact your John Deere Power Systems engine distributor for more information.

The Industrial Intermittent engine power rating is for applications that operate at varying loads and speeds, and do not fit the Industrial Heavy-Duty rating information.

Power output is within + or - 5% at standard SAE J 1995 and ISO 3046.

Exhaust Filter Dimensions

Size	2
Diameter - mm (in)	260.71 (10.3)
Length - mm (in)	572.59 (22.5)
Weight - kg (lb)	19.96 (44.0)

See your John Deere Power Systems engine distributor for more information on available filter size options.

Features and benefits

Wastegated Turbocharger

- Wastegated turbochargers are designed to develop more airflow at lower engine speeds to improve low-speed torque. The wastegate control device bleeds off a portion of the exhaust flow at higher engine speeds. Wastegated turbos deliver improved transient response and higher peak torque without compromising engine envelope size. They also provide the lowest installed cost across a given power range.

Exhaust Filters

- These engines utilize a catalyzed exhaust filter that contains a diesel oxidation catalyst (DOC) and a diesel particulate filter (DPF). The DOC reacts with exhaust gases to reduce carbon monoxide, hydrocarbons, and some particulate matter (PM). The downstream DPF traps and holds the remaining PM. Trapped particles are oxidized within the DPF through a continuous cleaning process called passive regeneration. Passive regeneration occurs during normal operating conditions when heat from the exhaust stream and catalysts within the exhaust filter trigger the oxidation of the trapped PM. If passive regeneration cannot be achieved due to low temperature, load, or speed, then PM is removed using active regeneration — an automatic cleaning process controlled by the exhaust temperature management system.

High-Pressure Common-Rail (HPCR) and Engine Control Unit (ECU)

- The HPCR fuel system provides variable common-rail pressure and higher injection pressures up to 1,600 bar (23,000 psi). It also controls fuel injection timing and provides precise control for the start, duration, and end of injection.

Additional Features

- High and low profile turbo configurations
- Optional engine mounted exhaust filter

2-Valve Cylinder Head

- Cross-flow head design provides excellent breathing from a lower-cost 2-valve cylinder head.

Air-to-Air Aftercooled

- This is the most efficient method of cooling intake air to help reduce engine emissions while maintaining low-speed torque, transient response time, and peak torque. It enables an engine to meet emissions regulations with better fuel economy and the lowest installed costs.